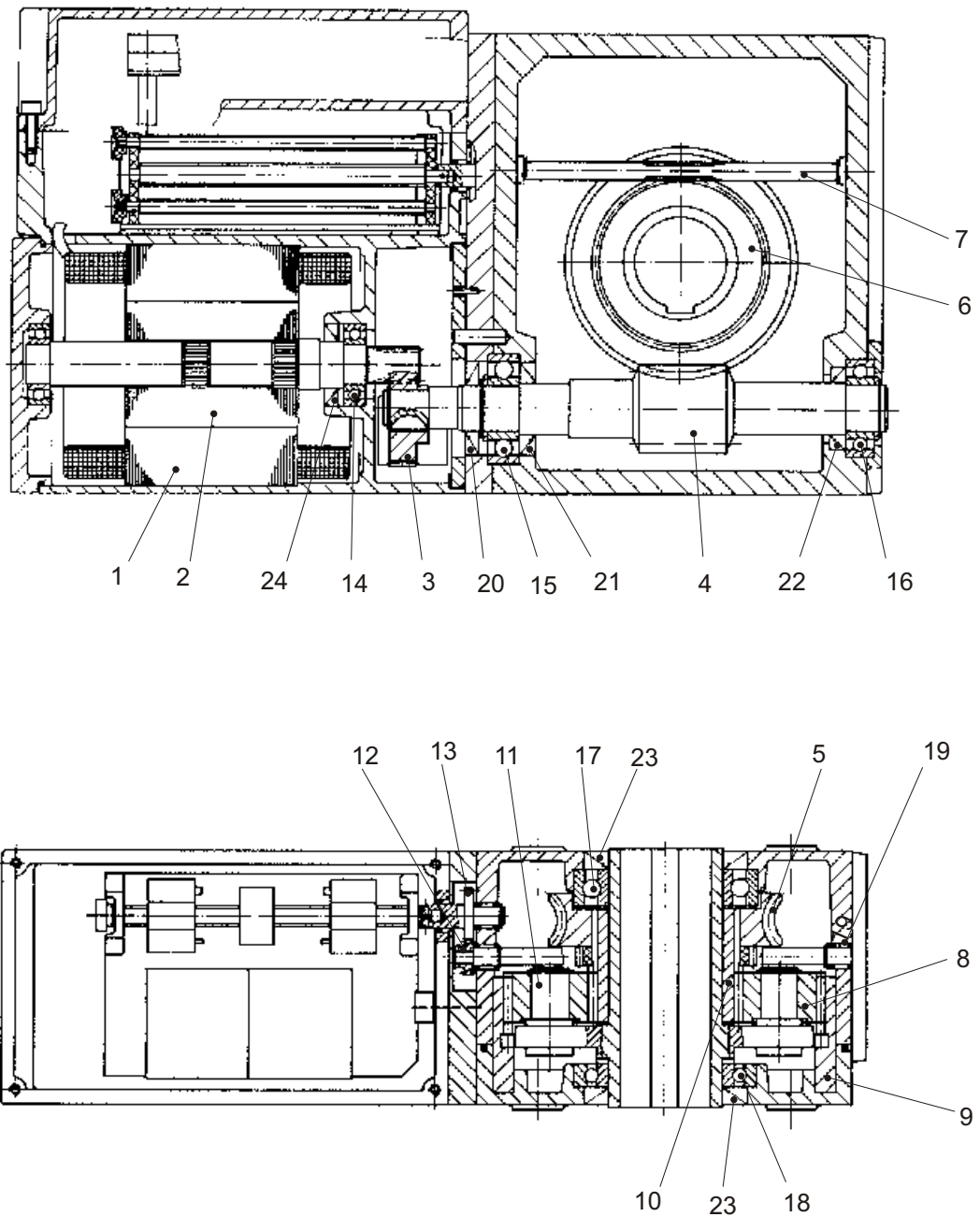


# Framo<sup>®</sup> Slip-on geared motor COMPACTA

## Spare parts



Subject to technical changes

Framo Morat GmbH & Co. KG

Po-Box 10 • D-79869 Eisenbach / Hochschwarzwald  
 Höchst 7 • D-79871 Eisenbach / Hochschwarzwald  
 Homepage: <http://www.framo-morat.com>

Phone +49(0)7657 88-0 • Fax +49(0)7657 88-333

E-Mail: [info-drives@framo-morat.com](mailto:info-drives@framo-morat.com)

# Framo<sup>®</sup> Slip-on geared motor COMPACTA

## Spare part list

| Item | Designation                                      | Article No.    |
|------|--|----------------|
| 1    | Stator   | Type No.       |
| 2    | Rotor  | Type No.       |
| 3    | Gear   | 6-60-01.04     |
| 4    | Rotor shaft complete                             | Type No.       |
| 5    | Worm shaft                                       | Type No.       |
| 6    | Worm wheel                                       | Type No.       |
| 7    | Control shaft                                    | Type No.       |
| 8    | Planetary gear                                   | 6-60-50.02a    |
| 9    | Crown gear                                       | 6-60-50.05     |
| 10   | Shaft  | 6-60-50.04     |
| 11   | Carrier disk                                     | 6-60-170.00    |
| 12   | Gear   | 6-60-270.04    |
| 13   | Worm gear shaft                                  | 6-60-270.03    |
| 14   | Deep-groove ball bearing                         | 00300100600360 |
| 15   | Deep-groove ball bearing                         | 00300100620430 |
| 16   | Deep-groove ball bearing                         | 00300100600440 |
| 17   | Deep-groove ball bearing                         | 00300100601030 |
| 18   | Deep-groove ball bearing                         | 00300101601010 |
| 19   | Needle bushing                                   | 00300800081030 |
| 20   | Radial shaft seal                                | 00200102035072 |
| 21   | Radial shaft seal                                | 00200102240074 |
| 22   | Radial shaft seal                                | 00200102235074 |
| 23   | Radial shaft seal                                | 00200105072084 |
| 24   | Radial shaft seal                                | 00200102035073 |
| no # | Coupling between Gear and limit switch mechanism | 6-12-36.03     |

**Spare parts can only be supplied if the serial number is stated**

Subject to technical changes

Framo Morat GmbH & Co. KG

Po-Box 10 • D-79869 Eisenbach / Hochschwarzwald  
Höchst 7 • D-79871 Eisenbach / Hochschwarzwald  
Homepage: <http://www.framo-morat.com>

Phone +49(0)7657 88-0 • Fax +49(0)7657 88-333

E-Mail: [info-drives@framo-morat.com](mailto:info-drives@framo-morat.com)