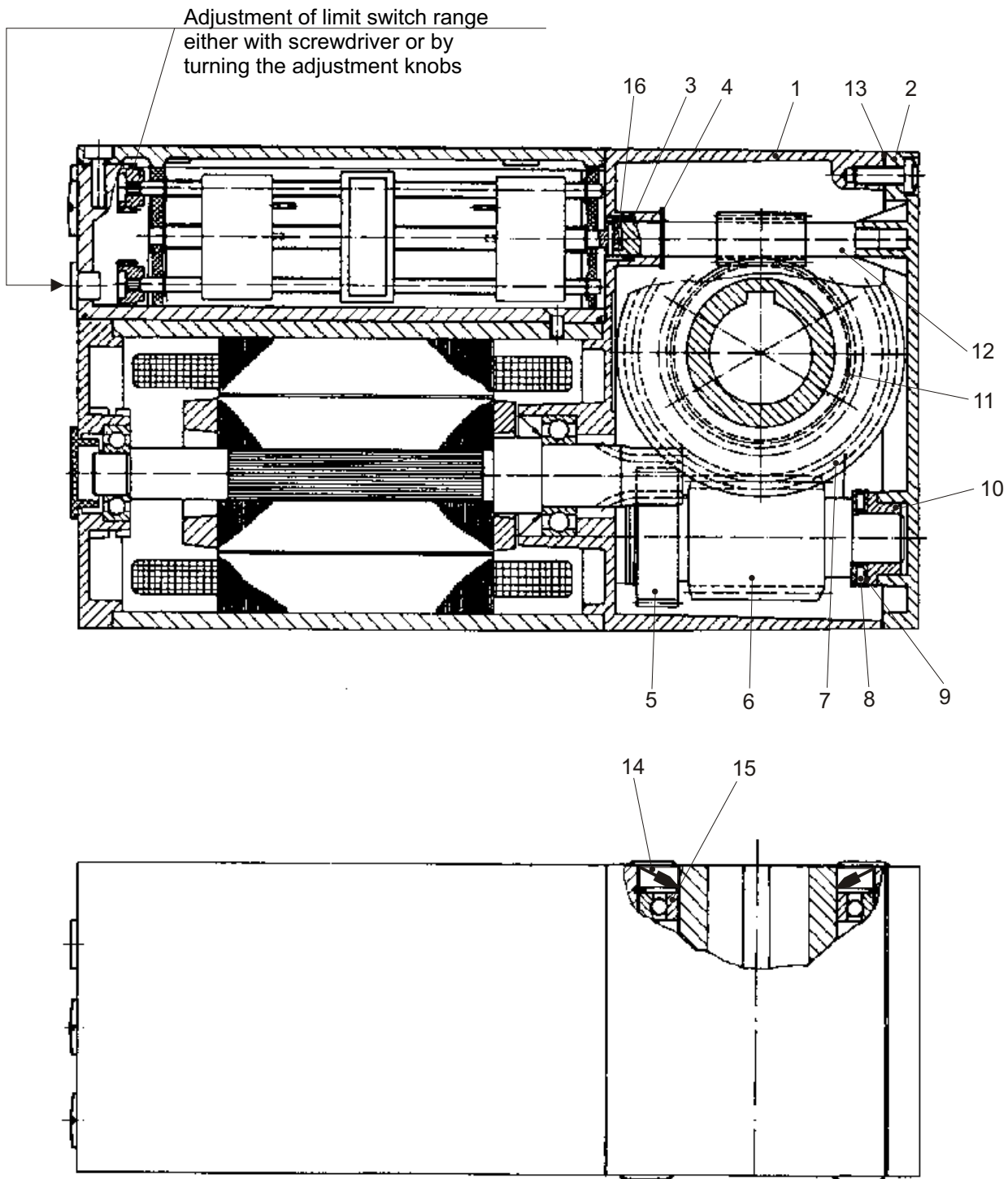


## Spare parts gearbox



Subject to technical changes

Framo Morat GmbH &amp; Co. KG

Po-Box 10 • D-79869 Eisenbach / Hochschwarzwald  
 Höchst 7 • D-79871 Eisenbach / Hochschwarzwald  
 Homepage: <http://www.framo-morat.com>

Phone +49(0)7657 88-0 • Fax +49(0)7657 88-333

E-Mail: [info-drives@framo-morat.com](mailto:info-drives@framo-morat.com)

**Spare parts MS 12 Gearbox**

Item	Designation	Article No.
1	Gear box case	6-12-01.01
2	Gear box cover	6-12-01.02
3	Seal G12x16x3	00201601216030
4	Retaining ring	00150100120100
5	1st stage gear	Type No.
6	Worm shaft A53	Type No.
7	Worm wheel A53	Type No.
8	Thrust needle bearing	00301500015280
9	Thrust bearing washer	00301600015280
10	Bushing	00302401510003
11	Spur wheel	Type No.
12	Control shaft	Type No.
13	Cover seal	6-12-01.03
14	Radial seal A40x68x7	00200104068072
15	Deep-groove ball bearing 16008	00300101600810
16	Coupling	6-12-36.03

**Spare parts can only be supplied if the serial number is stated**

Subject to technical changes

Framo Morat GmbH & Co. KG

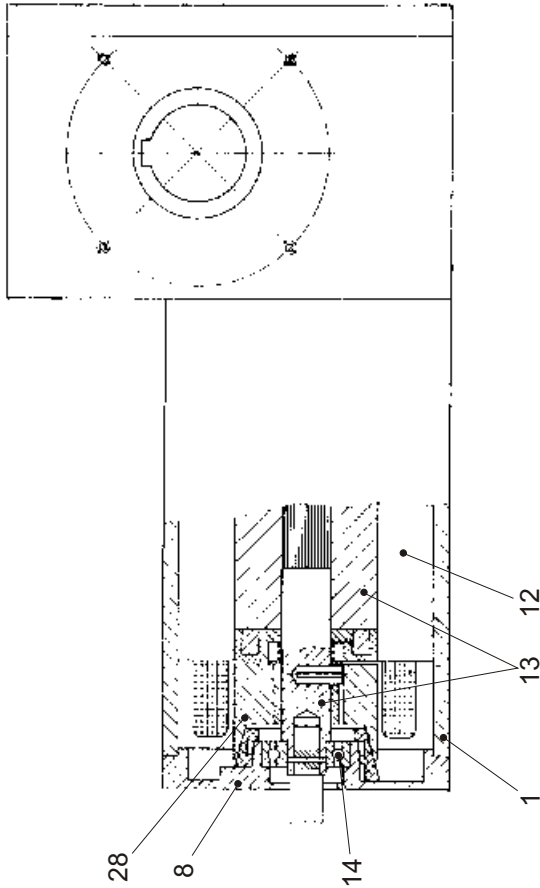
Po-Box 10 • D-79869 Eisenbach / Hochschwarzwald  
Höchst 7 • D-79871 Eisenbach / Hochschwarzwald  
Homepage: <http://www.framo-morat.com>

Phone +49(0)7657 88-0 • Fax +49(0)7657 88-333

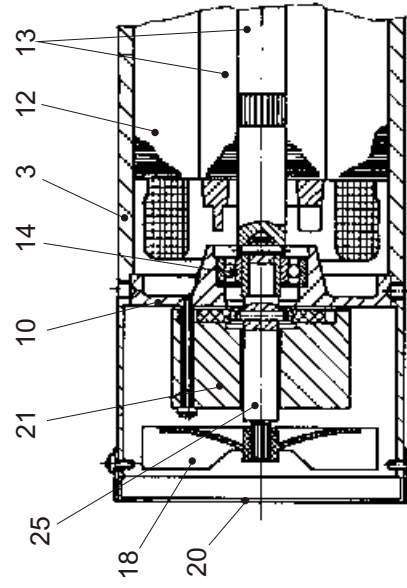
E-Mail: [info-drives@framo-morat.com](mailto:info-drives@framo-morat.com)

Spare parts MS 12 Motor (see Page 20)

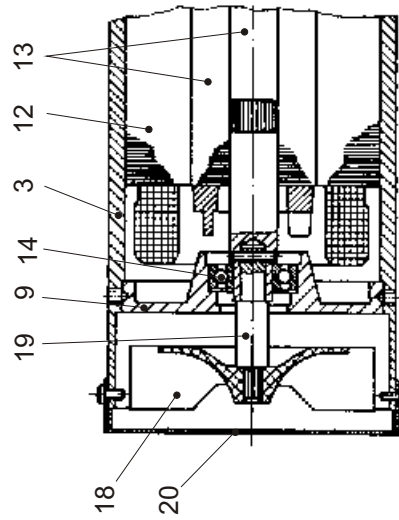
Motor with integrated cone brake



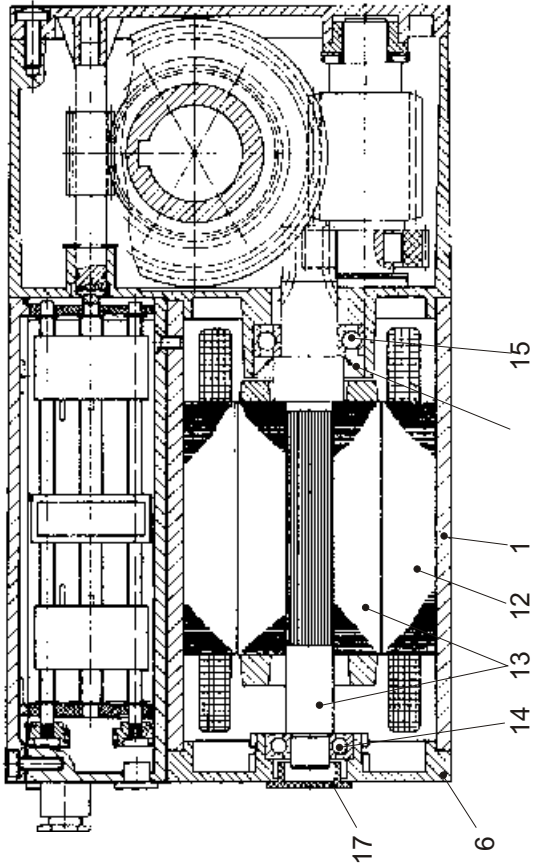
Motor with brake and rotor fan



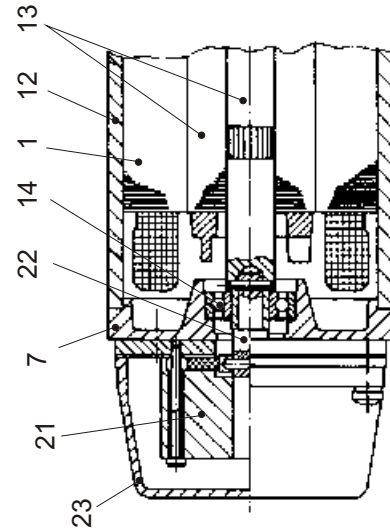
Motor with rotor fan



Motor - Standard version (without fan)



Motor with brake (without fan)



D6-12-218e02/07.05

Subject to technical changes

Framo Morat GmbH & Co. KG

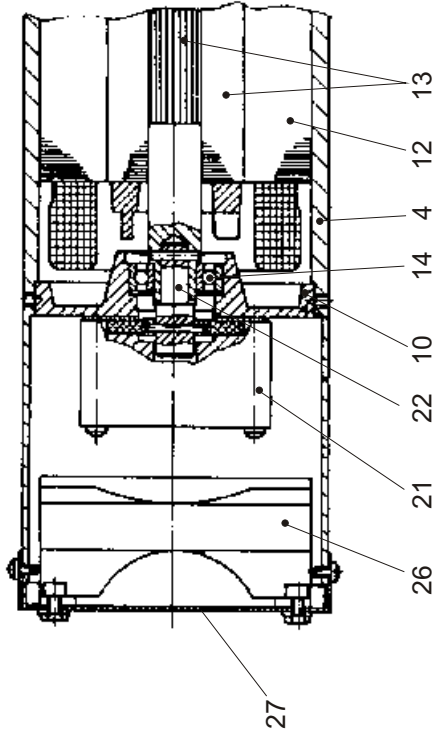
Po-Box 10 • D-79869 Eisenbach / Hochschwarzwald  
Höchst 7 • D-79871 Eisenbach / Hochschwarzwald  
Homepage: <http://www.framo-morat.com>

Phone +49(0)7657 88-0 • Fax +49(0)7657 88-333

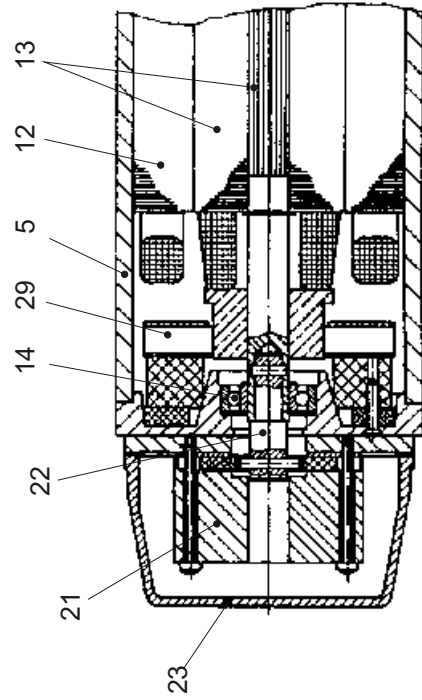
E-Mail: [info-drives@framo-morat.com](mailto:info-drives@framo-morat.com)

Spare parts MS 12 Motor (see Page 20)

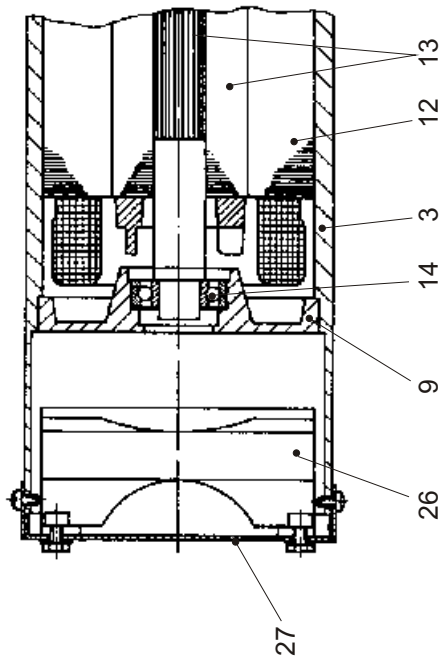
Motor with brake and motorized fan



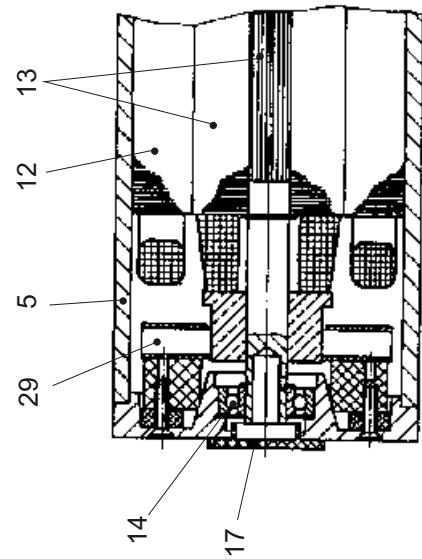
DC motor (shunt wound) with brake



Motor with motorized fan



DC motor with brake



Subject to technical changes

Framo Morat GmbH & Co. KG

Po-Box 10 • D-79869 Eisenbach / Hochschwarzwald  
 Höchst 7 • D-79871 Eisenbach / Hochschwarzwald  
 Homepage: <http://www.framo-morat.com>

Phone +49(0)7657 88-0 • Fax +49(0)7657 88-333

E-Mail: [info-drives@framo-morat.com](mailto:info-drives@framo-morat.com)

**Spare parts MS 12 Gearbox (see Page 18/19)**

Item	Designation	Article No.
0	Motor compl.	Type No.
1	Motor casing N (standard motor)	6-12-101.01
2	Motor casing L (fan)	6-12-102.01
3	Motor casing (brake + fan)	6-12-145.01
4	Motor casing (brake + motorized fan)	6-12-155.01
5	Motor casing G (DC)	6-12-70.01
6	Motor cover N	6-12-111.01
7	Motor cover (motor brake)	6-12-112.01
8	Motor cover (cone brake)	6-12-100.00
9	Cover L	6-10-34.02
10	Cover (brake + fan)	6-10-145.02
12	Stator	Type No.
13	Rotor complete	Type No.
14	Deep-groove ball bearing 6001-2RS	00300100600160
15	Deep-groove ball bearing 6003.-Z	00300100600320
16	Radial shaft seal	00200102235073
17	Screw plug	02050200029670
18	Fan blade	6-10-119.03
19	Rotor extension	6-10-119.05
20	Fan cover	6-12-119.05
21	Motor brake	Type No.
22	Rotor extension	6-10-112.11
23	Brake housing	02000600080000
25	Rotor extension motor brake + fan	6-10-145.03
26	Motorized fan	02901100007000
27	Fan cover	6-12-155.04
28	Cone brake	Type No.
29	DC motor brush	Type No.

**Spare parts can only be supplied if the serial number is stated**

Subject to technical changes

Framo Morat GmbH & Co. KG

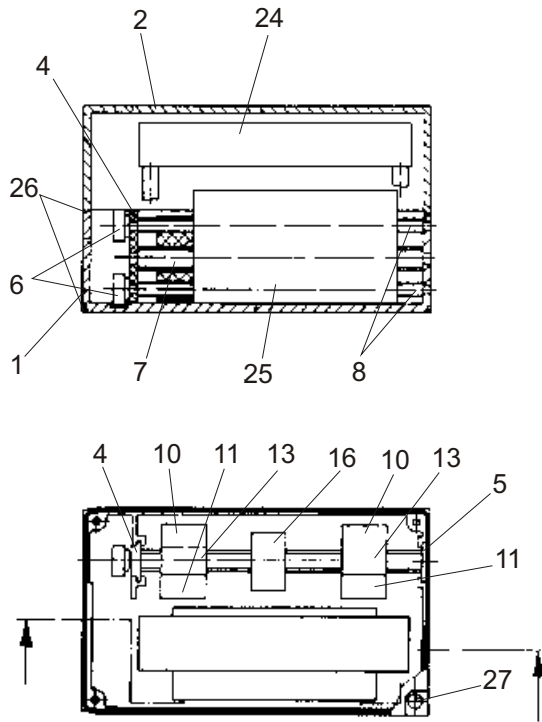
Po-Box 10 • D-79869 Eisenbach / Hochschwarzwald  
Höchst 7 • D-79871 Eisenbach / Hochschwarzwald  
Homepage: <http://www.framo-morat.com>

Phone +49(0)7657 88-0 • Fax +49(0)7657 88-333

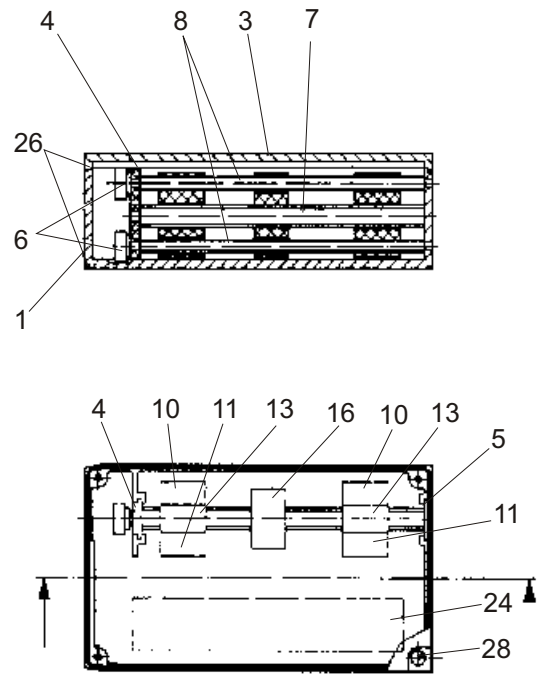
E-Mail: [info-drives@framo-morat.com](mailto:info-drives@framo-morat.com)

## Spare parts limit switches (see Page 22)

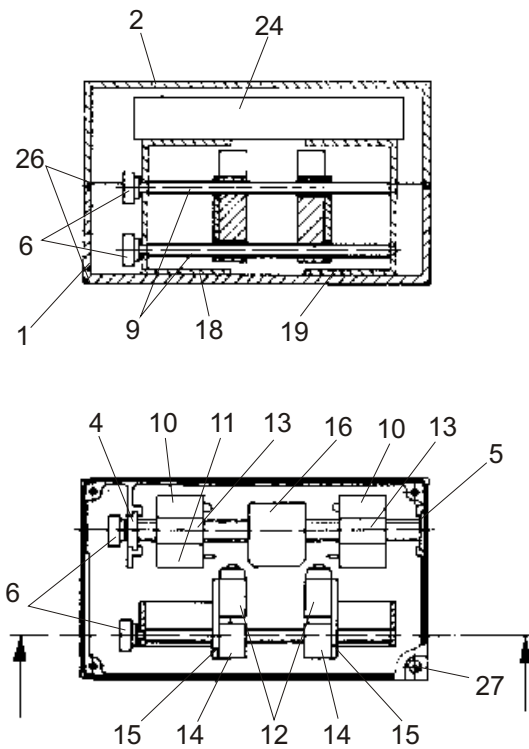
Version 1



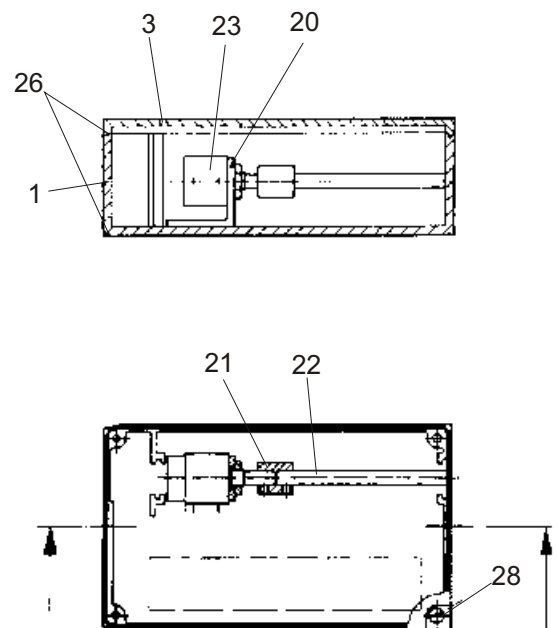
Version 2



Version 3



Version 4



Subject to technical changes

Framo Morat GmbH & Co. KG

Po-Box 10 • D-79869 Eisenbach / Hochschwarzwald  
 Höchst 7 • D-79871 Eisenbach / Hochschwarzwald  
 Homepage: <http://www.framo-morat.com>

Phone +49(0)7657 88-0 • Fax +49(0)7657 88-333

E-Mail: [info-drives@framo-morat.com](mailto:info-drives@framo-morat.com)

**Spare parts MS 12 limit switches (see Page 21)**

Item	Designation	Article No.
1	Limit switch housing	6-12-35.01
2	Cover, raised	6-12-40.01
3	Cover, flat	6-12-35.02
4	Bearing plate 1	6-12-36.09
5	Bearing plate 2	6-12-36.10
	Bearing plate 3 (for terminal box; not illustrated)	6-12--36.11
6	Adjustment knob	6-10-36.14
7	Control spindle	Type No.
8	Adjustment spindle	6-10-36.13
9	Adjustment spindle	6-10-600.13
10	Safety switch S4/S5	02450100000250
11	Limit switch S6/S7	02450100000050
12	Limit switch, intermediate position S8/S9	02450100000300
13	Switch holder	6-10-36.21
14	Spindle holder	6-10-600.16
15	Switch holder	6-10-600.07
16	Switching nut	Type No.
17	Switching nut, wide	Type No.
18	Right bracket	6-10-600.14
19	Left bracket	6-10-600.15
20	Potentiometer bracket	6-10-611.02
21	Coupling	00790200001000
22	Extension	6-10-611.04
23	Spiral potentiometer	Type No.
24	Terminal strip	02000102000000
25	Reversing contactor	Type No.
26	Cover seal	00202001450155
27	Screw (raised cover)	00011400401201
28	Screw (flat cover)	00011400401001

**Spare parts can only be supplied if the serial number is stated**

Subject to technical changes

Framo Morat GmbH & Co. KG

Po-Box 10 • D-79869 Eisenbach / Hochschwarzwald  
Höchst 7 • D-79871 Eisenbach / Hochschwarzwald  
Homepage: <http://www.framo-morat.com>

Phone +49(0)7657 88-0 • Fax +49(0)7657 88-333

E-Mail: [info-drives@framo-morat.com](mailto:info-drives@framo-morat.com)