

AG60



Subject to technical changes

Framo Morat GmbH & Co. KG
Höchst 7 • D-79871 Eisenbach

Tel.: +49 (0) 7657 / 88-0
Fax: +49 (0) 7657 / 88-333

www.framo-morat.com
info@framo-morat.com

3-phase motors - 3x230/400V-50Hz

Output speed n_2 rpm	Output torque Nm	Transmission ratio	Motor speed n_1 rpm	Motor output kW	Self-locking	Limit switch range Output rotation
	ED 60%		ED 60%			
40	175	69,7:1	2800	1,1	So *	275
20	330	139,5:1	2800	1,1	So *	275
13	485	220,8:1	2800	1,1	So *	275
9,3	575	302,2:1	2800	1,1	So *	275
7	600	395,2:1	2800	1,1	Ss *	275
5	600	558:1	2800	1,1	Ss *	275
3,8	600	732,4:1	2800	1,1	Sd *	275
2,5	600	558:1	1400	0,6	Ss *	275
1,9	600	732,4:1	1400	0,6	Sd *	275
0,9	450	732,4:1	700	0,15	Sd *	275

Single-phase motors - 1x230V-50Hz

Output speed n_2 rpm	Output torque Nm **	Transmission ratio	Motor speed n_1 rpm	Motor output kW	Self-locking
	ED 40%		ED 40%		
40	95	69,7:1	2800	0,66	So *
20	176	139,5:1	2800	0,66	So *
13	262	220,8:1	2800	0,66	So *
9,3	310	302,2:1	2800	0,66	So *
7	374	395,2:1	2800	0,66	Ss *
5	427	558:1	2800	0,66	Ss *
3,8	500	732,4:1	2800	0,66	Sd *
2,5	463	558:1	1400	0,36	Ss *
1,9	543	732,4:1	1400	0,36	Sd *

24V DC shunt-wound motor

Output speed n_2 rpm	Output torque Nm	Self-locking	Transmission ratio
27	108	So *	69,7 : 1
14	193	So *	139,5 : 1
9	282	So *	220,8 : 1
6	365	So *	302,2 : 1
5	404	Ss *	395,2 : 1
3,5	466	Ss *	558 : 1
2,6	562	Sd *	732,4 : 1

P = 0,45 kW

$I_N = 28$ A

30% duty cycle

The output speed of Compacta gear motors with DC motors varies with the output torque.

Additional output table information:

*So = No self-locking

Ss = Static self-locking

Sd = Dynamic self-locking

** The stated single-phase torques are operational torques. The starting torque may be only 66% of the stated catalog torque. Please contact the manufacturer in case max. torque is required.

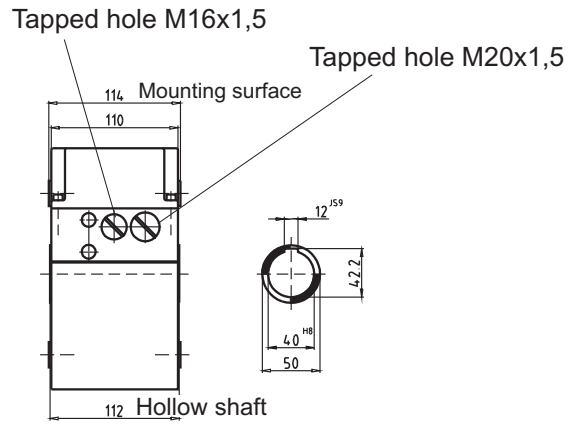
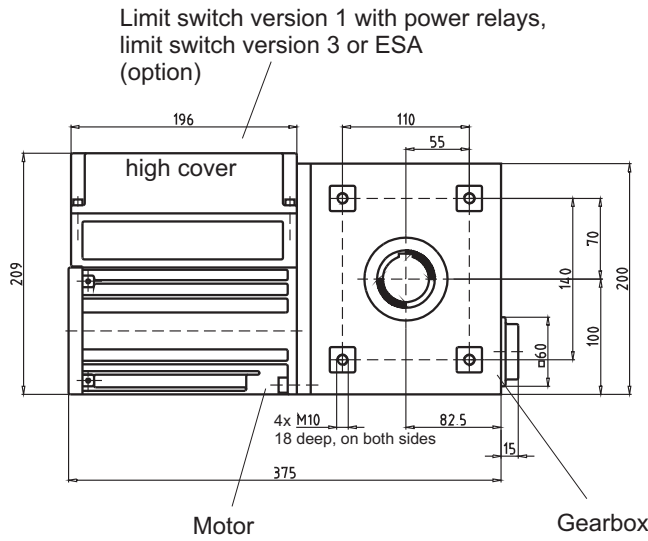
The gear motor can be overloaded by 50% for brief periods. Single-phase AC and DC motors may stall.

Please contact the manufacturer in case of the following operating conditions:

- Temperatures below 0°C (single-phase AC and DC motors: below 10°C)
- Temperatures above 40°C
- Strong vibrations

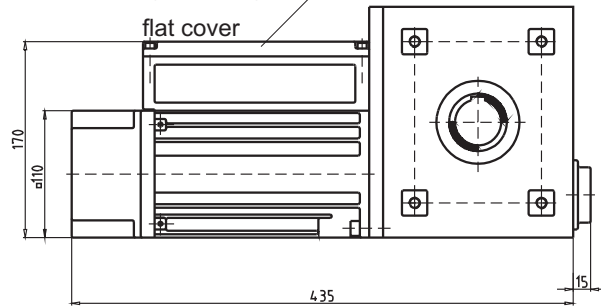
Dimensions

Standard drive with 3-phase or single-phase AC motor

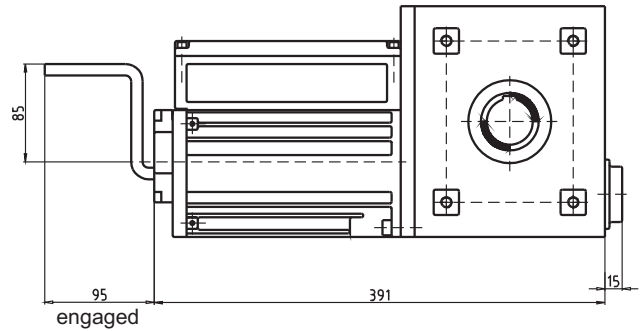


with solenoid brake (option)

Limit switch version 2 without power relays (option) or terminal box (without switch mechanism) (Standard)



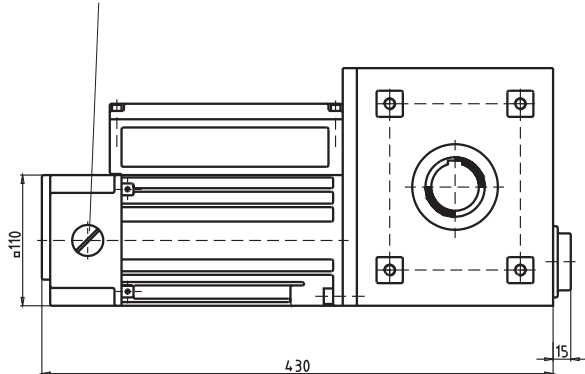
Hand crank with elec. interlock (option) (removable)



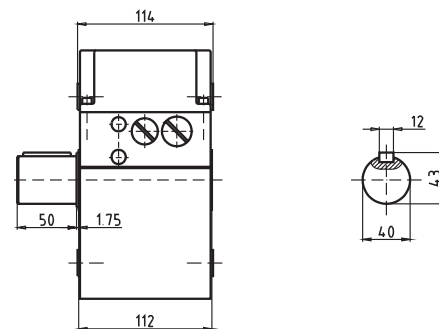
Dimension

with DC motor (option) (on request)

access to brushes



with stub-shaft (option) left or right



Some options may be combined

Subject to technical changes