

# MR30



Subject to technical changes

Framo Morat GmbH & Co. KG  
Höchst 7 • D-79871 Eisenbach

Tel.: +49 (0) 7657 / 88-0  
Fax: +49 (0) 7657 / 88-333

[www.framo-morat.com](http://www.framo-morat.com)  
[info@framo-morat.com](mailto:info@framo-morat.com)

**3-phase motors - 3x230/400V-50Hz**

Output speed $n_2$ rpm	Output torque Nm duty cycle 60%	Transmission ratio	Motor speed $n_1$ rpm	Motor output kW duty cycle 60%	Self- locking	Limit switch range Output rotation	
						normal	lang
123,4	60	22,7:1	2800	1,1	So *	260	430
61,6	112	45,4:1	2800	1,1	So *	130	215
39	165	71,8:1	2800	1,1	So *	85	135
30,8	125	45,4:1	1400	0,6	So *	130	215
28,4	187	98,3:1	2800	1,1	So *	60	100
21,8	220	128,5:1	2800	1,1	Ss *	47	77
19,5	180	71,8:1	1400	0,6	So *	85	135
15,4	240	181,4:1	2800	1,1	Ss *	32	55
14,2	206	98,3:1	1400	0,6	So *	60	100
11,8	270	238,1:1	2800	1,1	Sd *	25	42
10,6	250	264,6:1	2800	1,1	Sd *	23	38
7,7	267	181,4:1	1400	0,6	Ss *	32	55
5,9	300	238,1:1	1400	0,6	Sd *	25	42
5,3	278	264,6:1	1400	0,6	Sd *	23	38
3,8	148 (40%)	181,4:1	700	0,15 (40%)	Ss *	32	55
2,9	170 (40%)	238,1:1	700	0,15 (40%)	Sd *	25	42
2,6	160 (40%)	264,6:1	700	0,15 (40%)	Sd *	23	38

**Single-phase motors - 1x230V-50Hz**

Output speed $n_2$ rpm	Output torque Nm (40% duty cycle) **	Transmission ratio	Motor speed $n_1$ rpm	Motor output kW	Self- locking
123,4	36,0	22,7:1	2800	0,66	So *
61,6	67,2	45,4:1	2800	0,66	So *
39,0	99,0	71,8:1	2800	0,66	So *
30,8	73,3	45,4:1	1400	0,36	So *
28,4	112,2	98,3:1	2800	0,66	So *
21,8	132,0	128,5:1	2800	0,66	Ss *
19,5	108,0	71,8:1	1400	0,36	So *
15,4	144,0	181,4:1	2800	0,66	Ss *
14,1	122,3	98,3:1	1400	0,36	So *
11,8	162,0	238,1:1	2800	0,66	Sd *
10,9	144,0	128,5:1	1400	0,36	Ss *
10,6	150,0	264,6:1	2800	0,66	Sd *
7,7	157,1	181,4:1	1400	0,36	Ss *
5,9	176,7	238,1:1	1400	0,36	Sd *
5,3	163,4	264,6:1	1400	0,36	Sd *

**24V DC shunt-wound motor**

Output speed $n_2$ rpm	Output torque Nm	Self-locking	Transmission ratio
66	52	So *	22,7 : 1
33	97	So *	45,4 : 1
21	141	So *	71,8 : 1
15	162	So *	98,3 : 1
11,5	190	Ss *	128,5 : 1
8	205	Ss *	181,4 : 1
6,5	220	Sd *	238,1 : 1
5,5	200	Sd *	264,6 : 1

P = 0,5 kW  
 $I_N = 30$  A  
 40% duty cycle

The output speed of Compacta gear motors with DC motors varies with the output torque.

**Additional output table information:**

\*So = No self-locking  
 Ss = Static self-locking  
 Sd = Dynamic self-locking

\*\* The stated single-phase torques are operational torques. The starting torque may be only 66% of the stated catalog torque. Please contact the manufacturer in case max. torque is required.

The gear motor can be overloaded by 50% for brief periods. Single-phase AC and DC motors may stall.

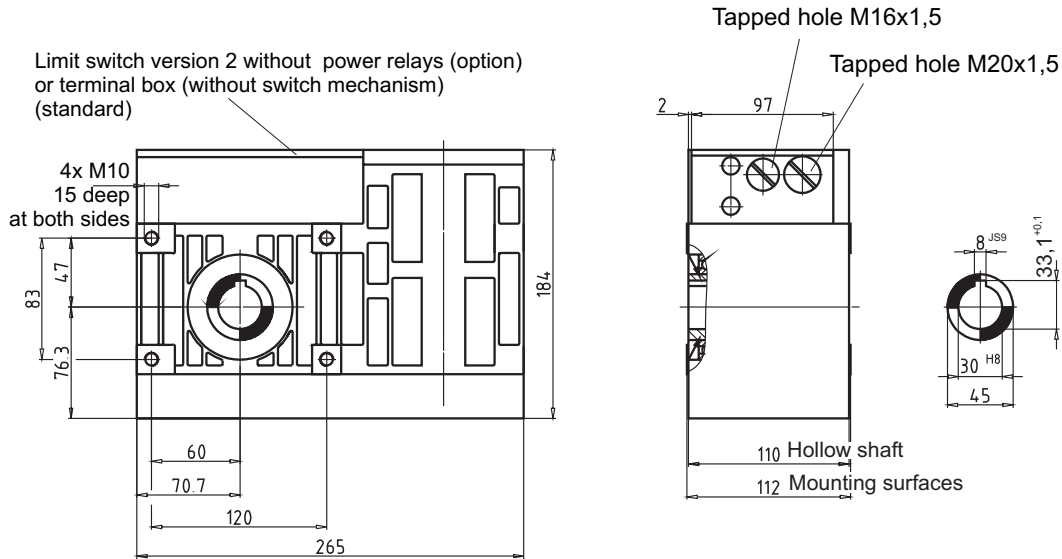
**Please contact the manufacturer in case of the following operating conditions:**

- Temperatures below 0°C (single-phase AC and DC motors: below 10°C)
- Temperatures above 40°C
- Strong vibrations

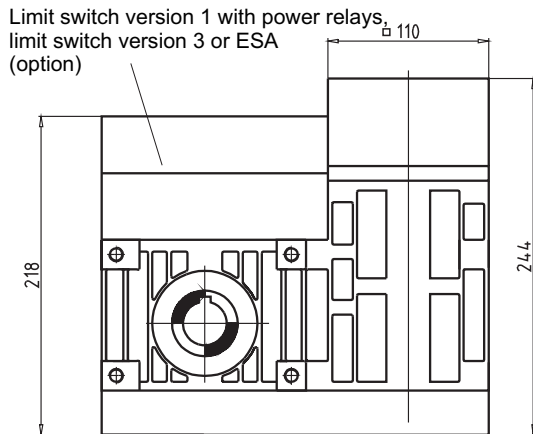
Subject to technical changes

**Dimensions**

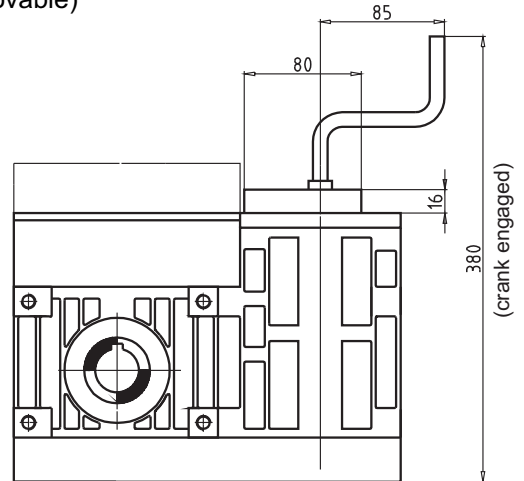
**Standard drive with 3-phase or single-phase AC motor**



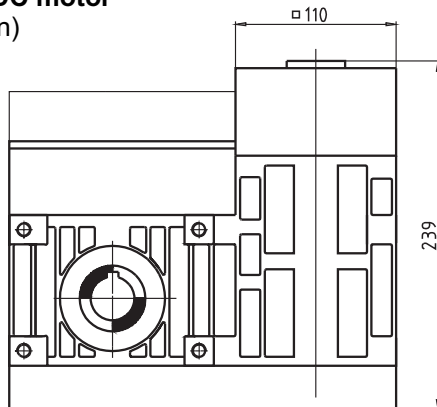
**with motor brake (option)**



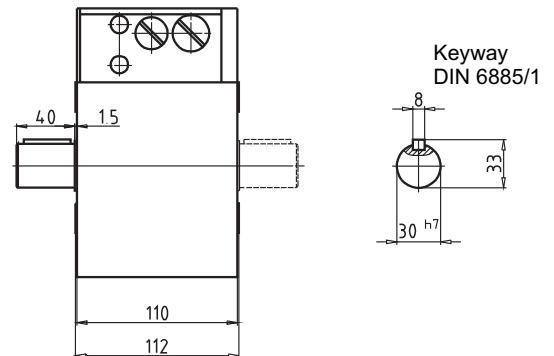
**Hand crank with elec. interlock (option) (removable)**



**with DC motor (option)**



**with stub shaft (option) (left or right)**

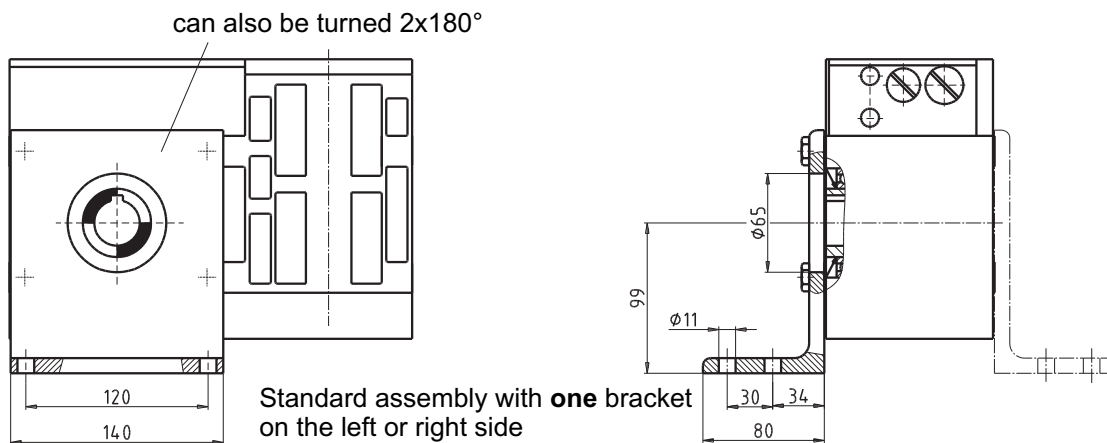


Some options may be combined

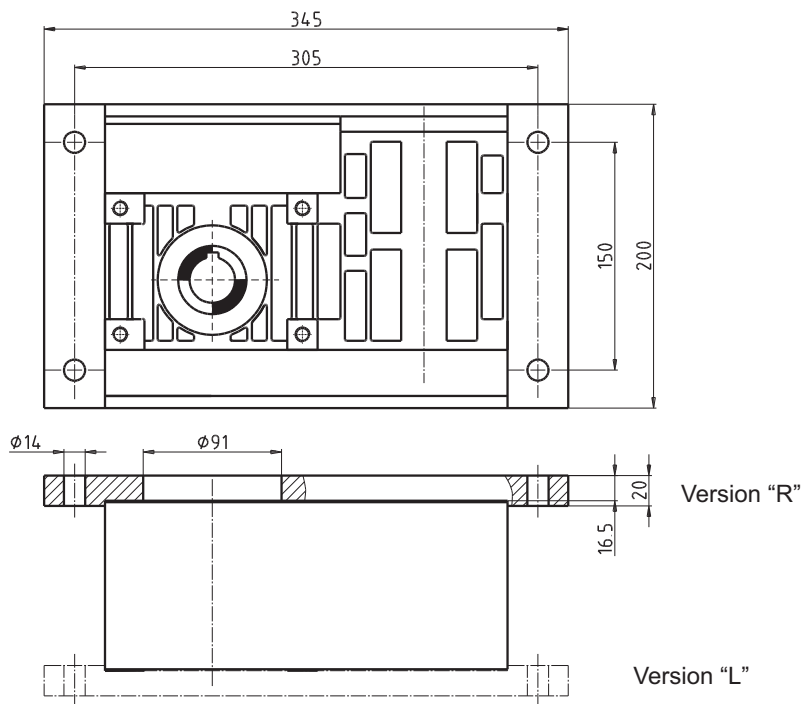
Subject to technical changes

## Dimensions

**with steel bracket**  
(option)



**with torque support plate**  
(option)



Some options may be combined

Subject to technical changes

Framo Morat GmbH & Co. KG  
Höchst 7 • D-79871 Eisenbach

Tel.: +49 (0) 7657 / 88-0  
Fax: +49 (0) 7657 / 88-333

www.framo-morat.com  
info@framo-morat.com