

MR6



Subject to technical changes

Framo Morat GmbH & Co. KG
Höchst 7 • D-79871 Eisenbach

Tel.: +49 (0) 7657 / 88-0
Fax: +49 (0) 7657 / 88-333

www.framo-morat.com
info@framo-morat.com

3-phase motors - 3x230/400V-50Hz

Output speed n_2 rpm	Output torque Nm (30% duty cycle)	Transmission ratio	Motor speed n_1 rpm	Motor output kW	Self-locking	Max. limit switch range output rotation
100	10,5	27:1	2700	0,22	So *	275
80	13	34:1	2700	0,22	So *	275
67	15	40:1	2700	0,22	So *	184
54	19	50:1	2700	0,22	So *	184
34	26	80:1	2700	0,22	So *	92
27	33	100:1	2700	0,22	So *	92
17	40	160:1	2700	0,22	Ss *	46
14	50	200:1	2700	0,22	Ss *	46
12	44	224:1	2700	0,22	Sd *	33
10	55	280:1	2700	0,22	Sd *	33
8	60	160:1	1300	0,15	Ss *	46
6	60	224:1	1300	0,15	Sd *	33
4,8	60	280:1	1300	0,15	Sd *	33
3,6	55	360:1	1300	0,15	Sd *	21
2,9	55	450:1	1300	0,15	Sd *	21

Single phase motors - 1x230V-50Hz

Output speed n_2 rpm	Output torque Nm (15% duty cycle) **	Transmission ratio	Motor speed n_1 rpm	Motor output kW	Self-locking
100	6,0	27:1	2700	0,09	So *
80	7,5	34:1	2700	0,09	So *
67	8,5	40:1	2700	0,09	So *
54	10,5	50:1	2700	0,09	So *
34	14,5	80:1	2700	0,09	So *
27	18,0	100:1	2700	0,09	So *
17	21,0	160:1	2700	0,09	Ss *
14	26,5	200:1	2700	0,09	Ss *
12	22,0	224:1	2700	0,09	Sd *
10	27,5	280:1	2700	0,09	Sd *
8	33,5	160:1	1300	0,07	Ss *
6	35,0	224:1	1300	0,07	Sd *
4,8	43,5	280:1	1300	0,07	Sd *
3,6	54,0	360:1	1300	0,07	Sd *
2,9	55,0	450:1	1300	0,07	Sd *

24V DC Permanentmagnet-Motor

Output speed n_2 rpm	Output torque Nm	Self-locking	Transmission ratio
65	7	So *	27 : 1
51,5	8,75	So *	34 : 1
44	10	So *	40 : 1
35	12	So *	50 : 1
22	16,5	So *	80 : 1
17,5	20,5	So *	100 : 1
11	24,5	So *	160 : 1
9	30,5	Ss *	200 : 1
8	25	Sd *	224 : 1
6	31	Sd *	280 : 1
5	38,5	Sd *	360 : 1
4	47,5	Sd *	450 : 1

P = 0,12 kW
 $I_N = 10,5$ A
 20% Duty cycle

The output speed of Compacta gear motors with DC motors varies with the output torque.

Additional output table information:

*So = No self-locking
 Ss = Static self-locking
 Sd = Dynamic self-locking

** The stated single-phase torques are operational torques. The starting torque may be only 66% of the stated catalog torque. Please contact the manufacturer in case max. torque is required.

The gear motor can be overloaded by 50% for brief periods. Single-phase AC and DC motors may stall.

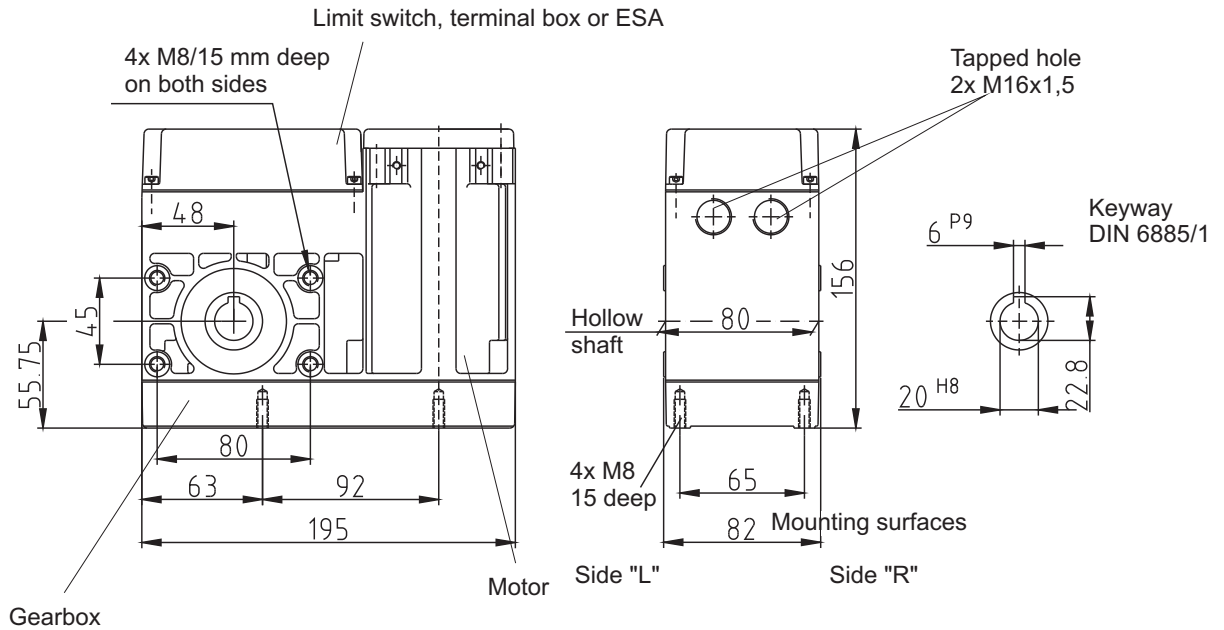
Please contact the manufacturer in case of the following operating conditions:

- Temperatures below 0°C (single-phase AC and DC motors: below 10°C)
- Temperatures above 40°C
- Strong vibrations

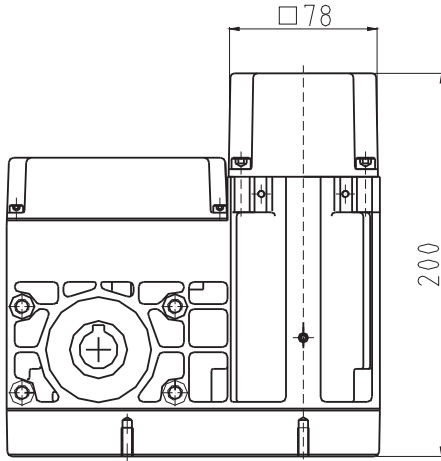
Subject to technical changes

Dimensions

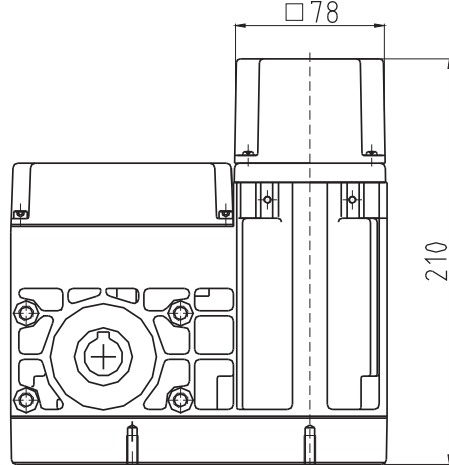
Standard drive with 3-phase and single-phase motors



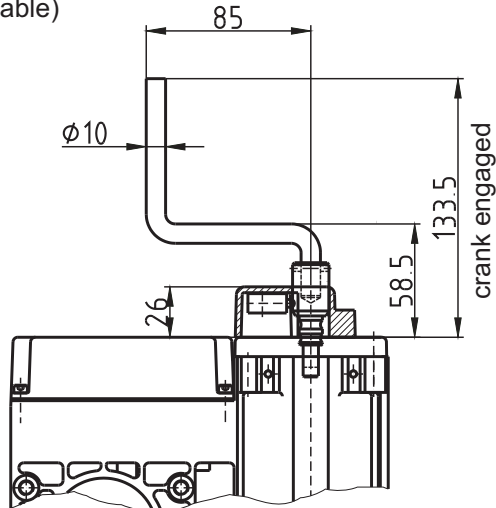
DC-motor (option)



Motor brake (option)



**Hand crank with electr. interlock (option)
(removable)**



Subject to technical changes