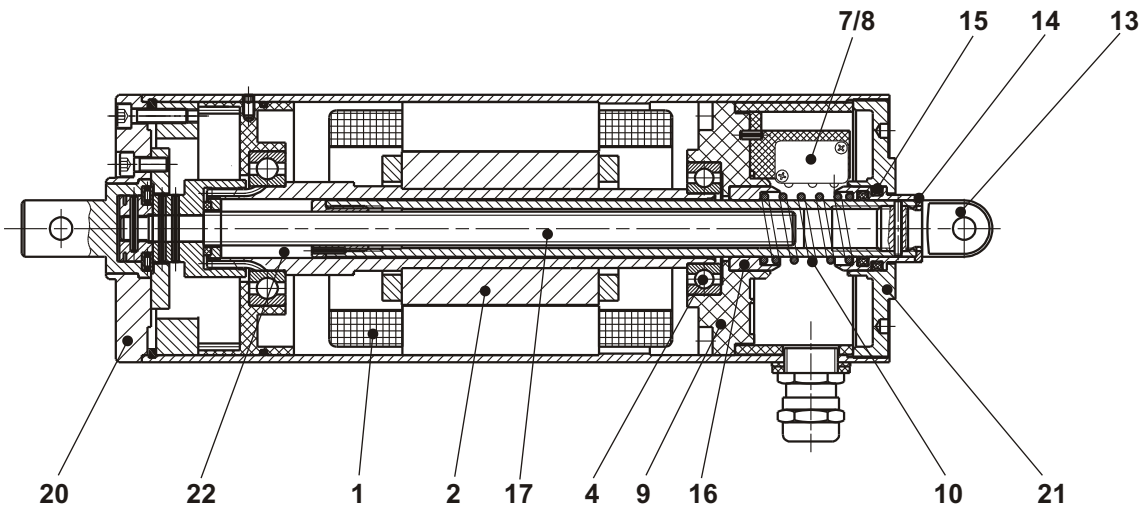
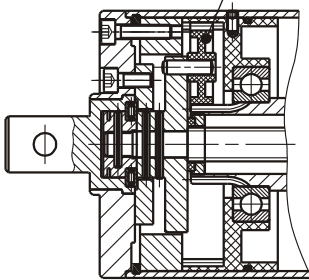


## Spare parts list

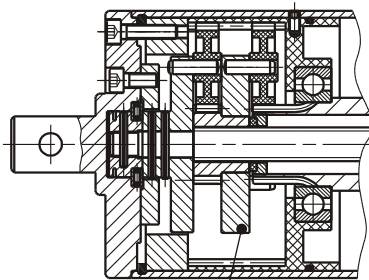
AC 3x230V / 110V, transmission ratio 1:1



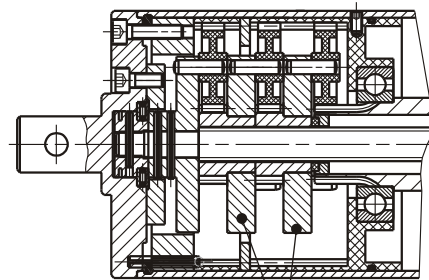
1-stage planetary gear



2-stage planetary gear



3-stage planetary gear



33

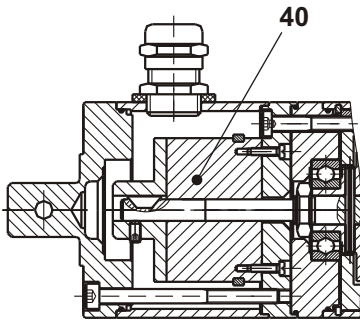
33

Pos.	Bezeichnung	Artikel-No.
1	Stator .....	Serial-No.
2	Rotor cpl.....	Serial-No.
4	Grooved ball bearing .....	00300100601080
7	Limit switch .....	02450100000600
8	Automatic disconnecter .....	02450100000250
9	Terminal board cpl.....	Serial-No.
10	Pressure spring .....	00155002890130
13	Connection head .....	Serial-No.
14	Pressure disc .....	Serial-No.
15	Switch jack 1 with quadrings .....	8-2030-01.11
16	Switch jack 2 .....	8-2030-01.12
17	Spindle cpl.....	Serial-No.
20	Gear cover .....	Serial-No.
21	Bearing plate .....	Z8-2030-01.14
22	Spindlenut, piston tube .....	Serial-No.
30	Planet wheel .....	8-2030-70.03
31	Internal ring gear cpl.....	Serial-No.
33	Planet wheel carrier toothed .....	Serial-No.

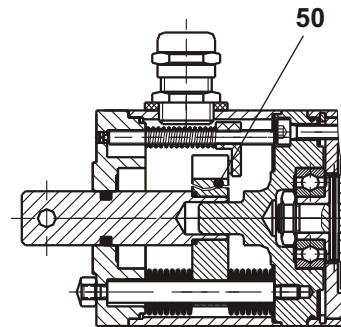
Subject to technical changes

## Spare parts list

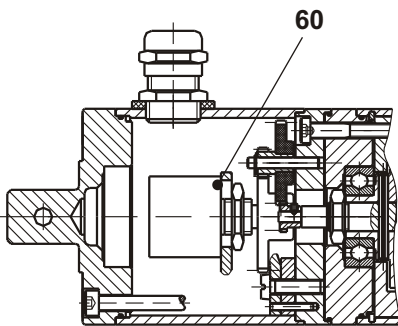
Spring applied single disc brake



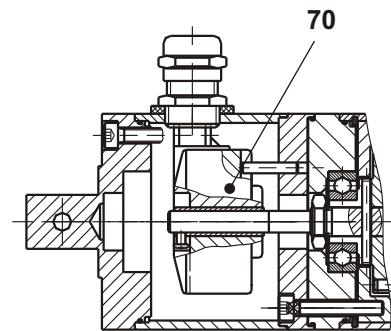
Force dependent shut off



Potentiometer



Encoder



Item	Part name	Article-No.
40	Spring applied single disc brake .....	Serial-Nr.
50	Force dependent shut off .....	Serial-Nr.
60	Potentiometer .....	Serial-Nr.
70	Encoder .....	Serial-Nr.

Subject to technical changes