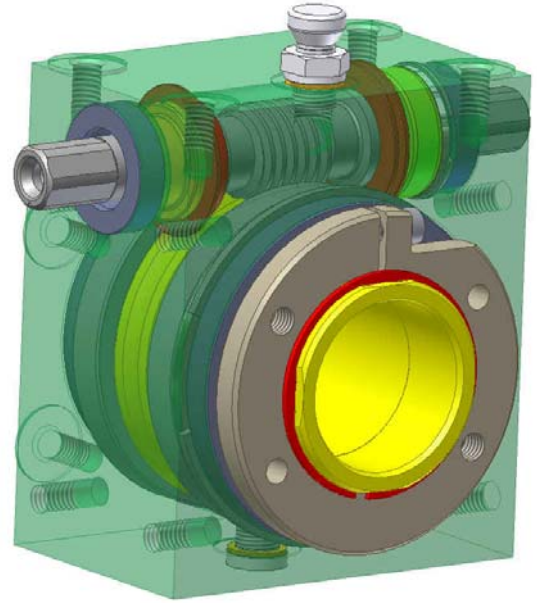


## Application-Solar Tracking Drive for Greenhouse



### Description:

The custom gear box turns concentrator lens Which focus the direct sunlight on one line. The concentrated solar power can either be used for generating steam, electricity or for desalinating salt water. The concentrator lenses are mounted directly underneath the greenhouse roof allowing only direct sunlight to reach the plants. Additional shades to protect the plants are not usually required. The large bore is required for power lines or steam and water pipes. Typical markets for these greenhouses are countries with large dry regions like North Africa, the Emirates, China or North and South America.

### Technical data:

Type	Large Bore Worm Gear Reducer
Max. torque	50Nm (Dynamic) 200Nm (Static)
Speed	15 RPM
Gear ratio	72 : 1
Bore Diameter	0.40 mm