

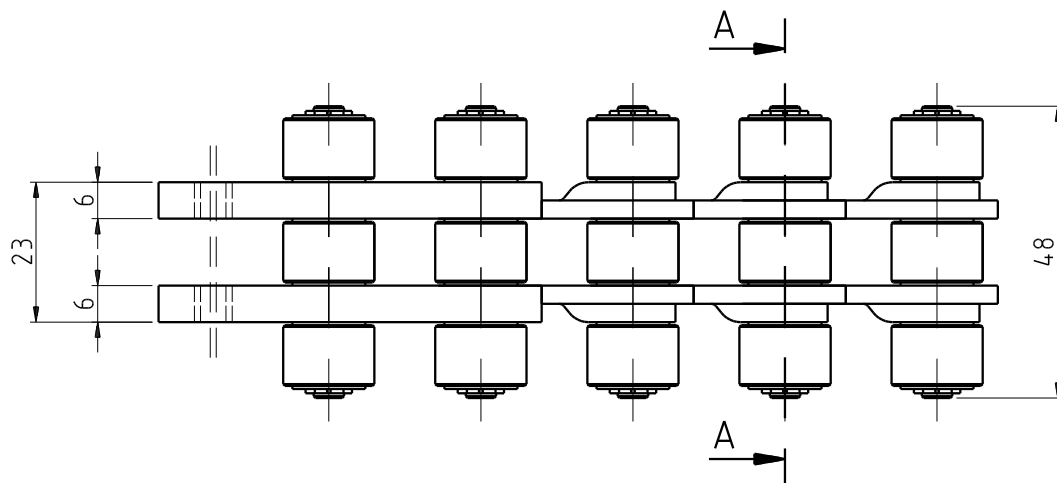
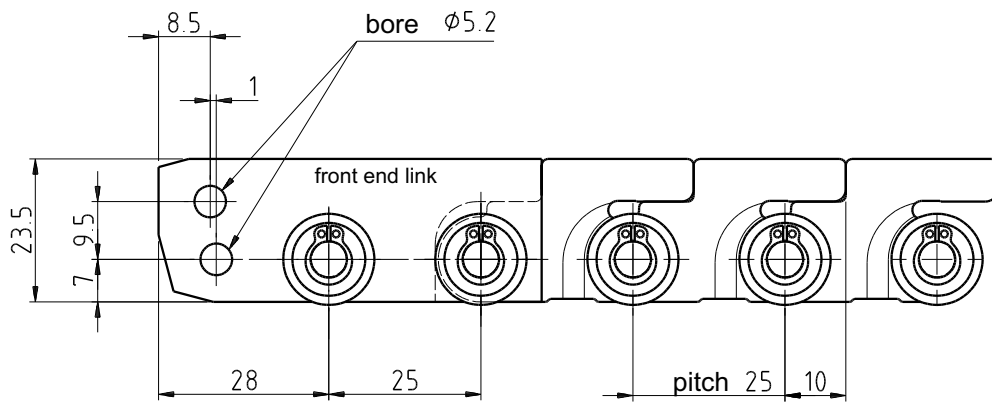
# Push chain 0255

## 2.2 Type 25 G III (steel)

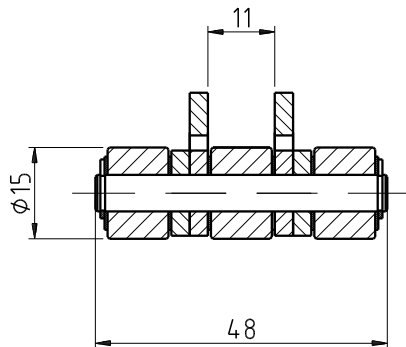
### 2.2.1 Technical data

- max. push force (for 1 meter of chain unguided, load guided): ..... 3000 N
- weight per meter: ..... 3 kg
- number of links per meter: ..... 40

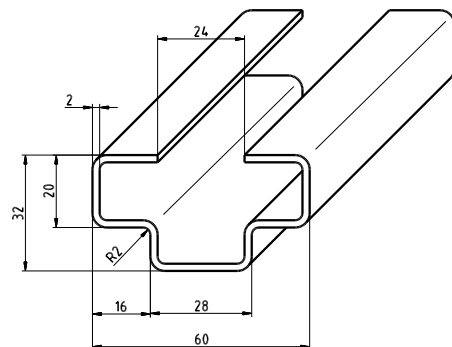
### 2.2.2 Dimensions



A - A



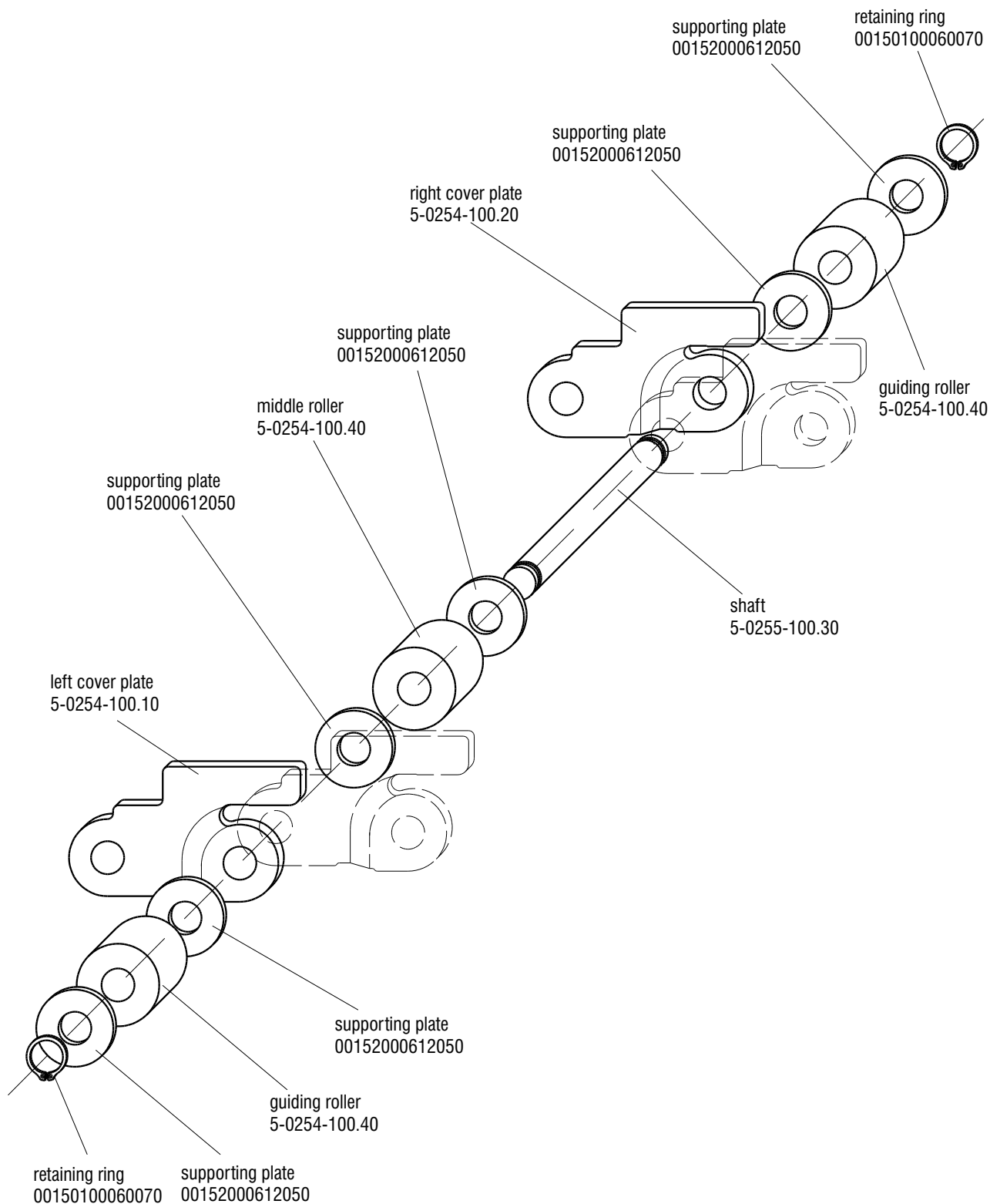
### 2.2.3 Guiding rail



# Push chain 0255

## Type 25 G III

### 2.1.4 Assembly of the standard chain link 5-0255-100.00



D5-217e/10.04

Subject to technical changes

Framo - Morat KG (GmbH & Co.)  
Framo -Antriebstechnik

Po.-box 10 • D-79869 Eisenbach / Hochschwarzwald  
Höchst 7 • D-79871 Eisenbach / Hochschwarzwald  
Homepage: <http://www.framo-morat.com>

Tel. (07657) 88-0 • Fax (07657) 88-333  
E-Mail: [info@framo-morat.com](mailto:info@framo-morat.com)