

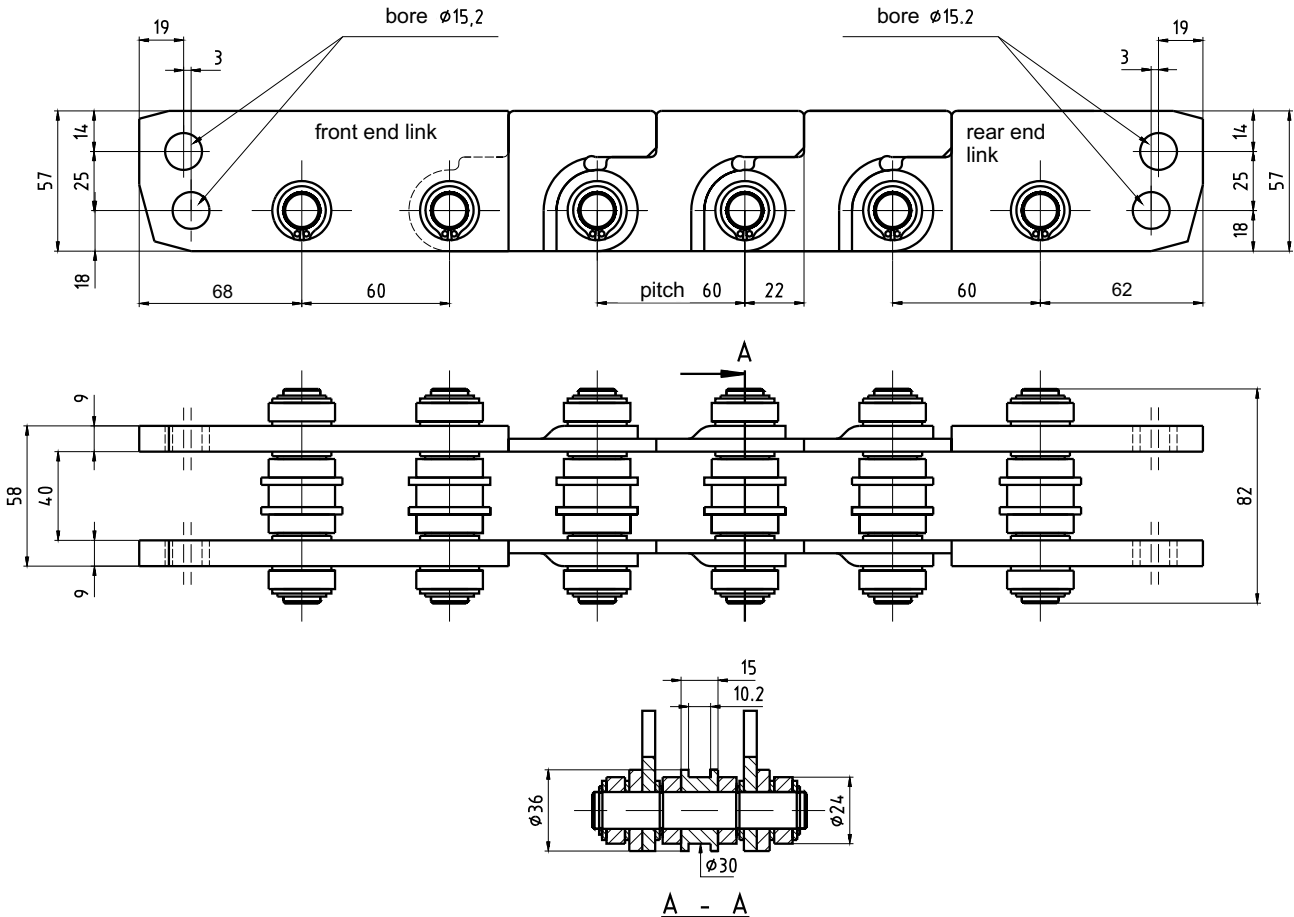
# Push chain 0602

## 4.2 Type 60 PSG

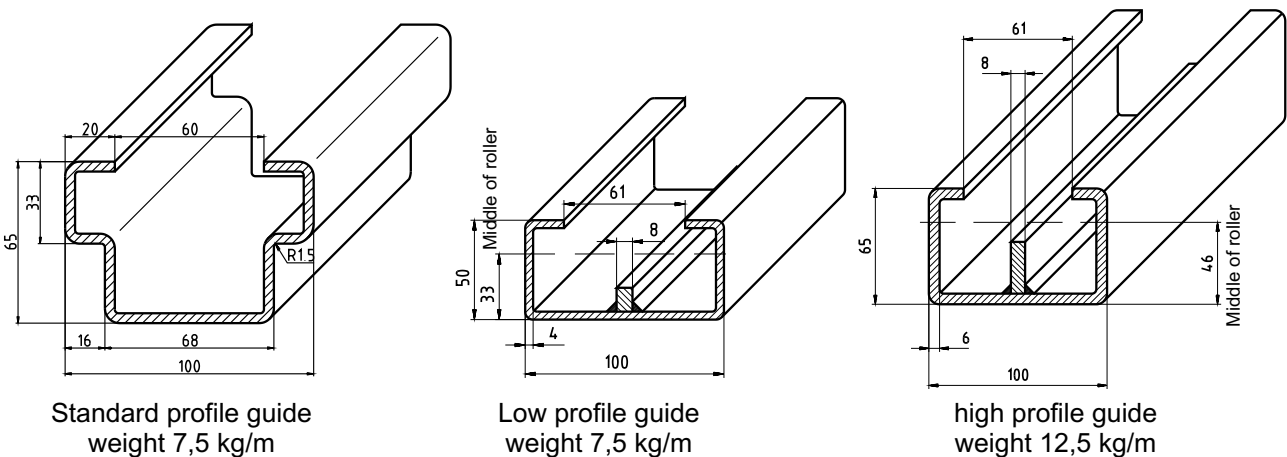
### 4.2.1 Technical data

- max. push force (for 1 meter of chain unguided, load guided): ..... 18000 N
- weight per meter:..... 8,7 kg
- number of links per meter: ..... 17

### 4.2.2 Dimensions



### 4.2.3 Guiding rail



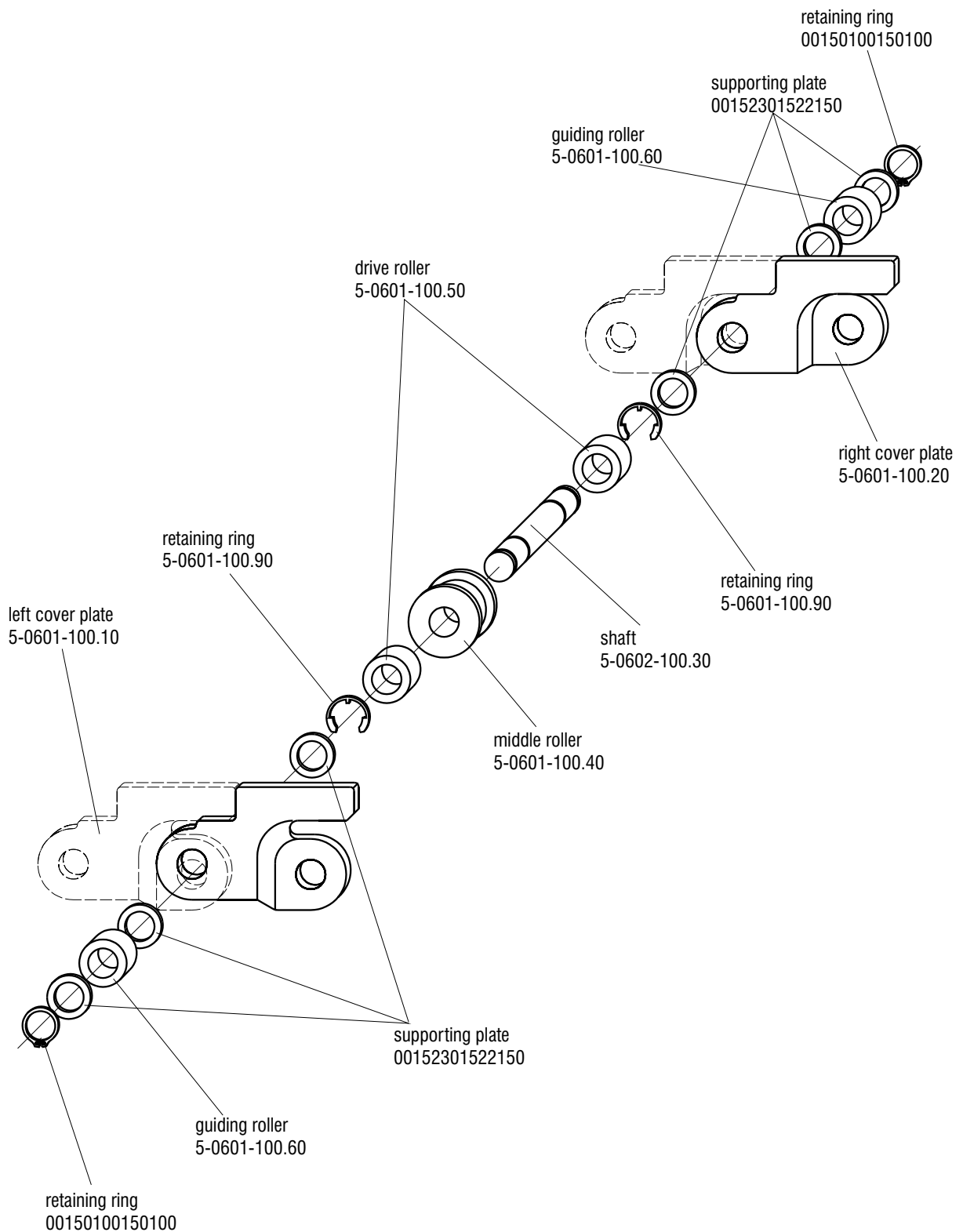
D5-230e/10.04

Subject to technical changes

# Push chain 0602

## Type 60 PSG

### 4.2.3 Assembly of the standard push chain 5-0602-100.00



D5-231e/10.04

Subject to technical changes

Framo - Morat KG (GmbH & Co.)  
Framo -Antriebstechnik

Po.-box 10 • D-79869 Eisenbach / Hochschwarzwald  
Höchst 7 • D-79871 Eisenbach / Hochschwarzwald  
Homepage: <http://www.framo-morat.com>

Tel. (07657) 88-0 • Fax (07657) 88-333  
E-Mail: [info@framo-morat.com](mailto:info@framo-morat.com)